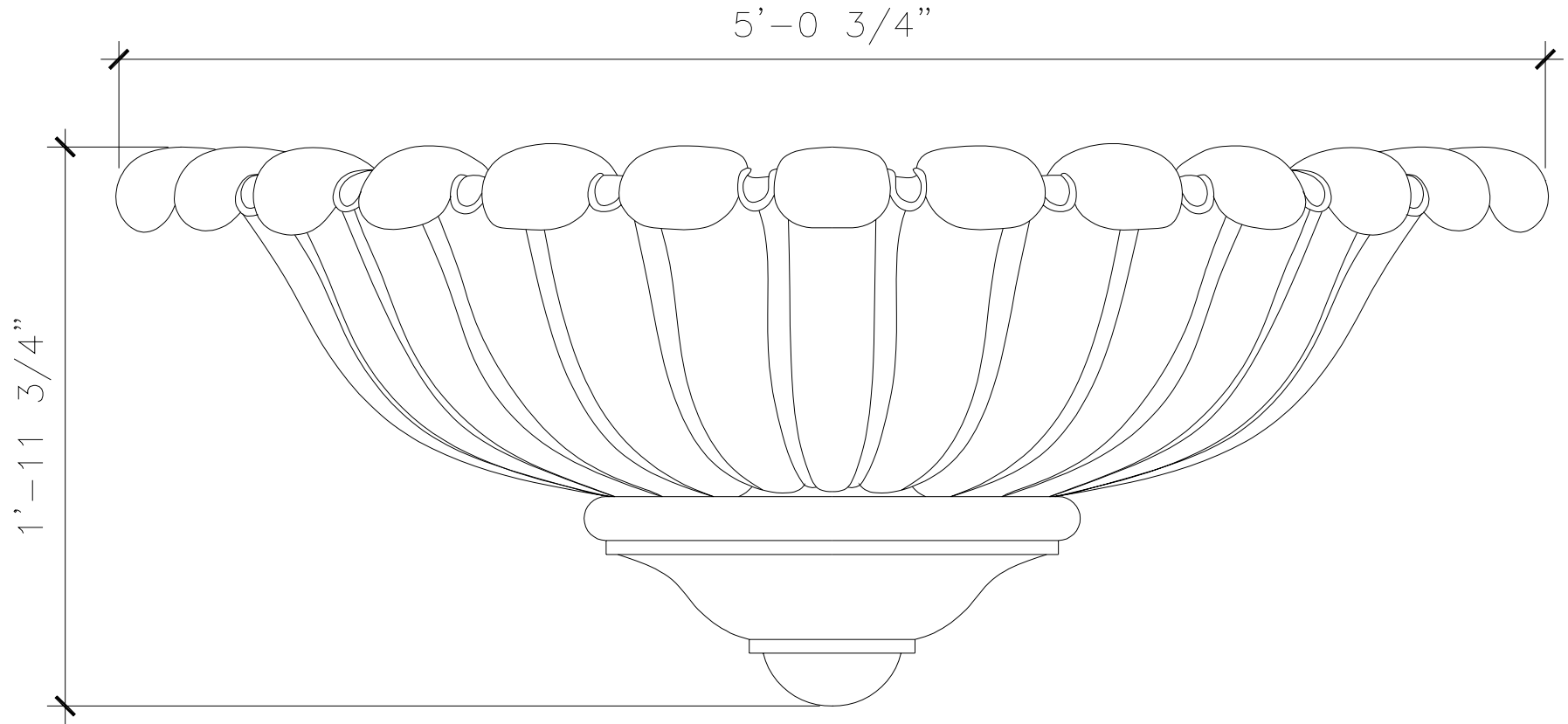


FOUNTAIN BASIN

FT002

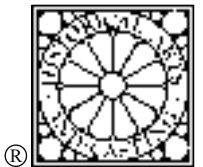


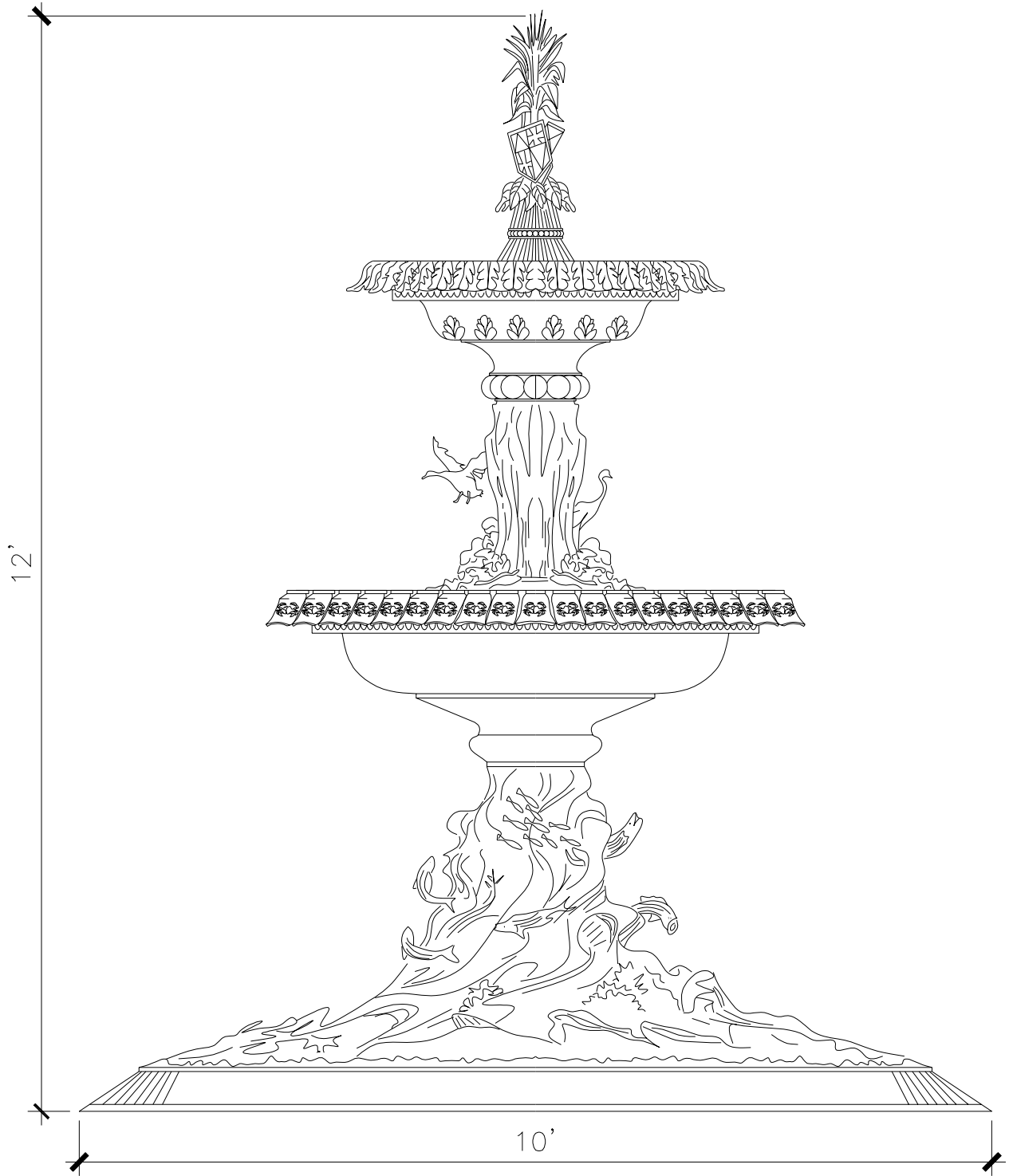
RECOMMENDED MATERIALS

- IRON
- ALUMINUM
- BRONZE

FINISHES

- PAINTED
- PAINTED, ANTIQUED
- PATINA, BRUSHED, HAND RUBBED



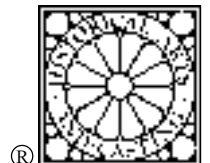


RECOMMENDED MATERIALS

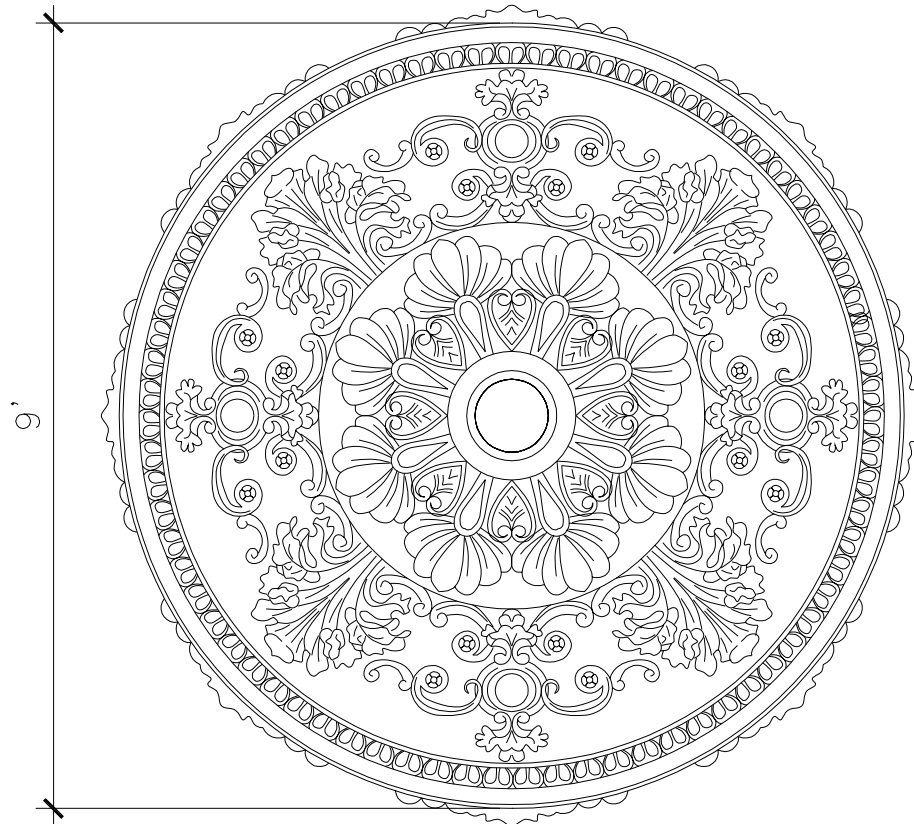
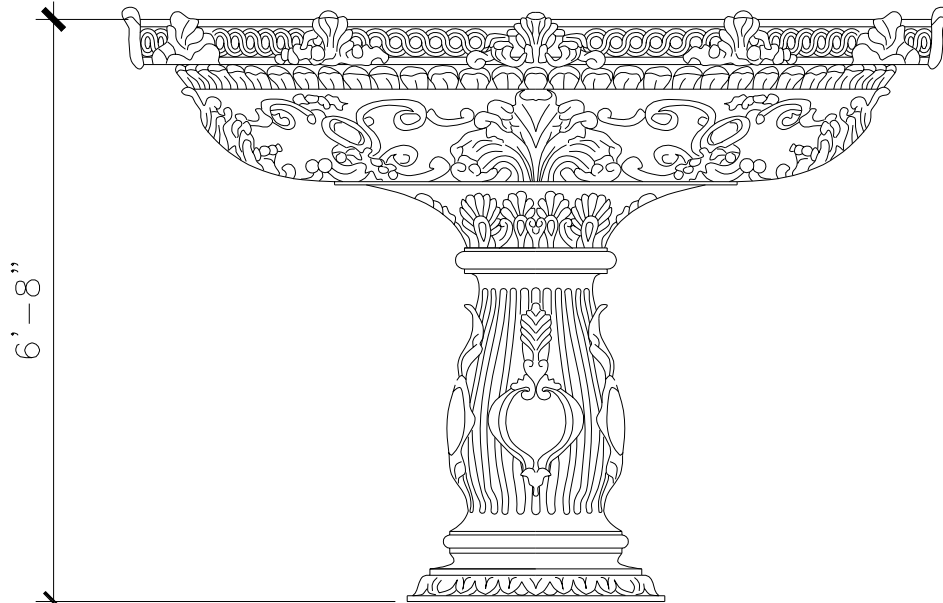
ALUMINUM
BRONZE

FINISHES

PAINTED, ANTIQUED
PATINA, BRUSHED, HAND RUBBED



®

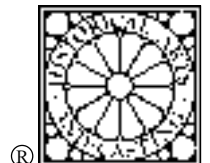


RECOMMENDED MATERIALS

ALUMINUM
BRONZE

FINISHES

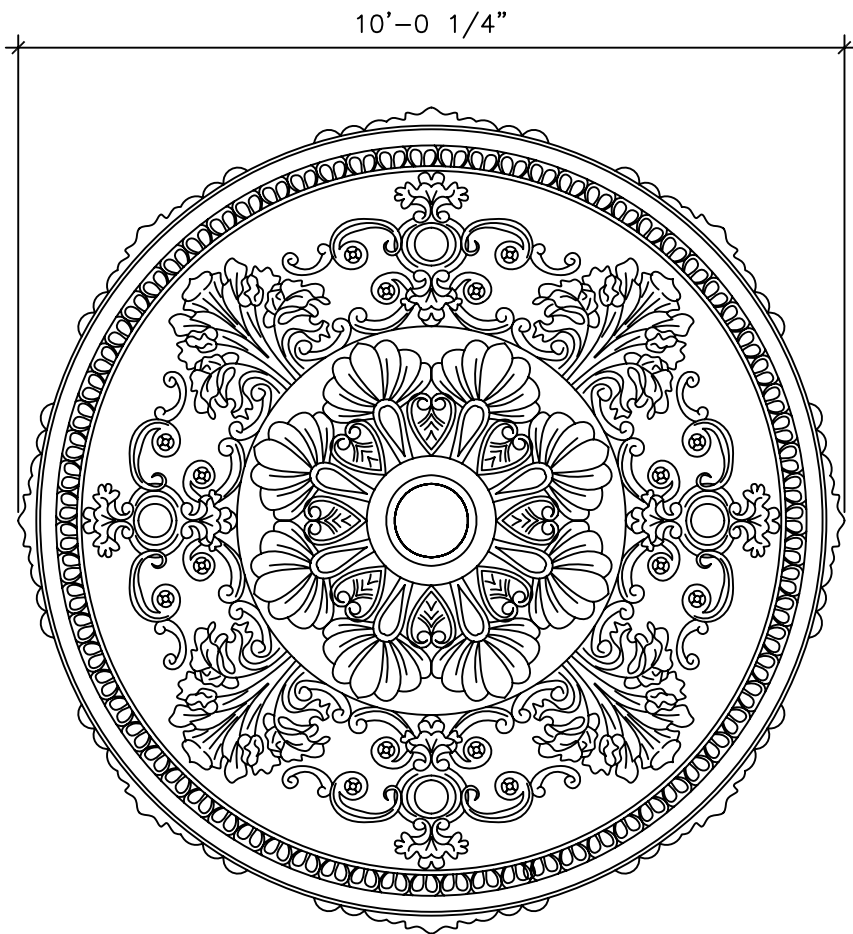
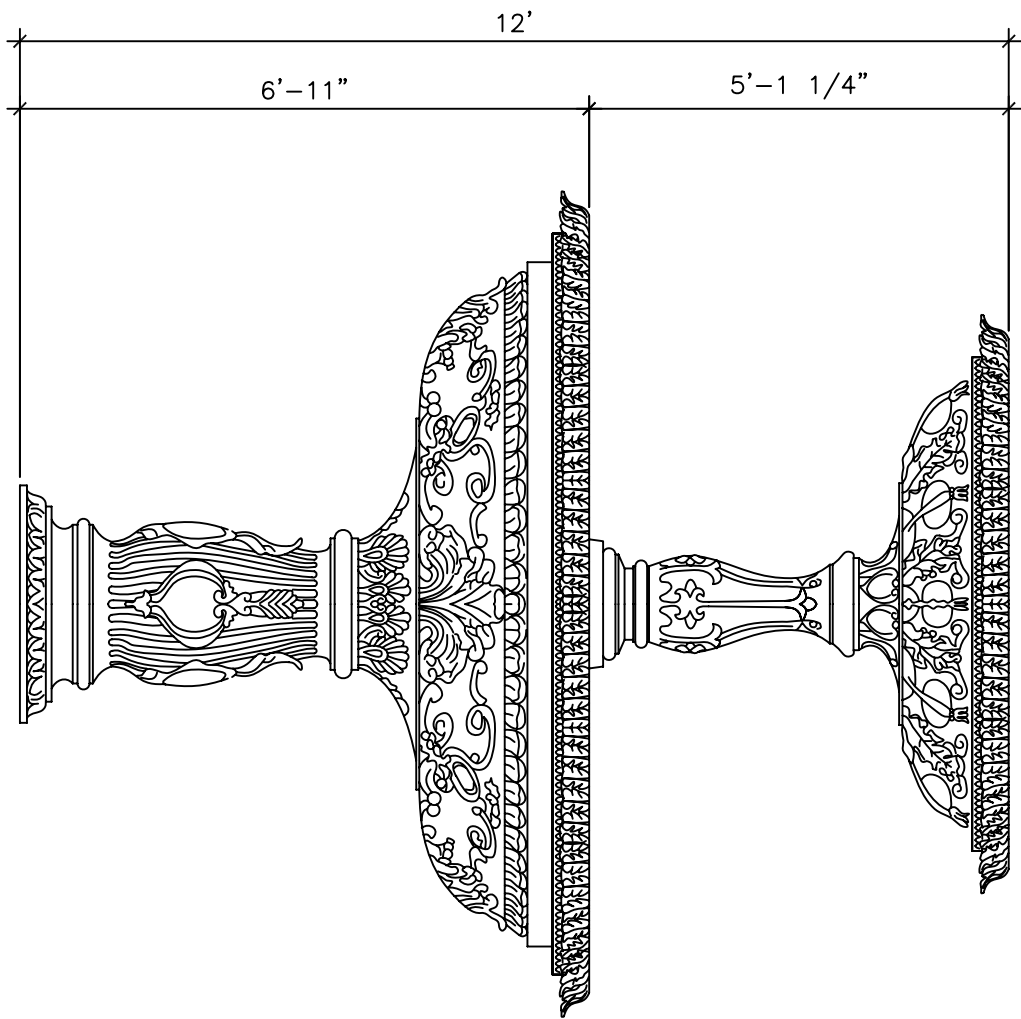
PAINTED, ANTIQUED
PATINA, BRUSHED, HAND RUBBED



®

FOUNTAIN

FT010



RECOMMENDED MATERIALS
IRON, ALUMINUM, BRONZE

FINISHES
PAINTED, ANTIQUED, PATINA, BRUSHED, HAND RUBBED

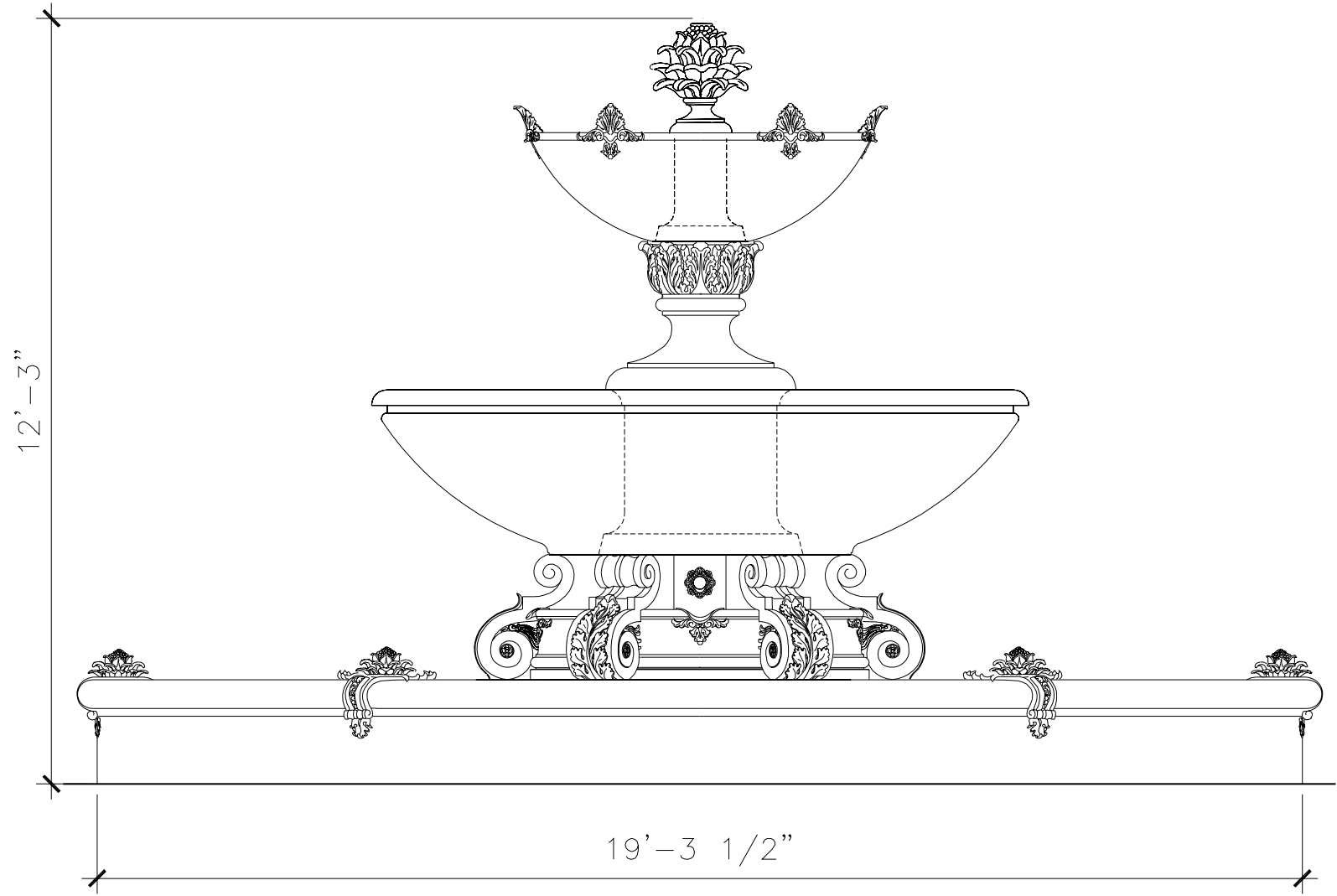
Design Credit:

Historical Arts & Casting, Inc. · 5580 West Bagley Park Road · West Jordan, Utah 84088 · (801) 280-2400 · www.historicalarts.com



FOUNTAIN

FT011

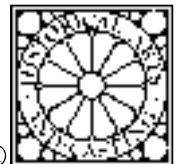


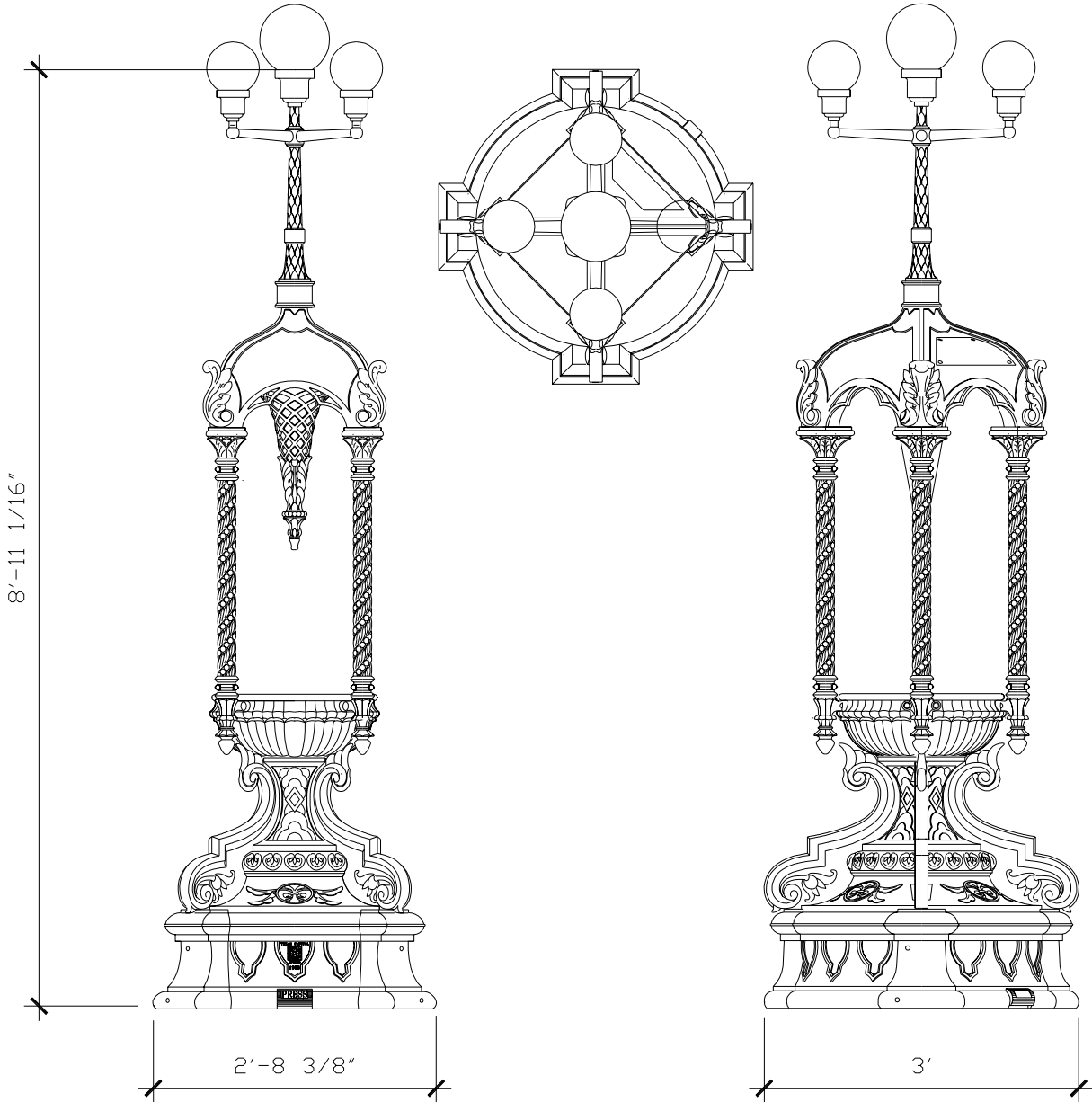
RECOMMENDED MATERIALS

- IRON
- ALUMINUM
- BRONZE

FINISHES

- PAINTED
- PAINTED, ANTIQUED
- PATINA, BRUSHED, HAND RUBBED



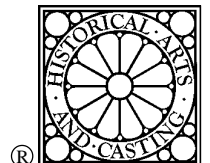


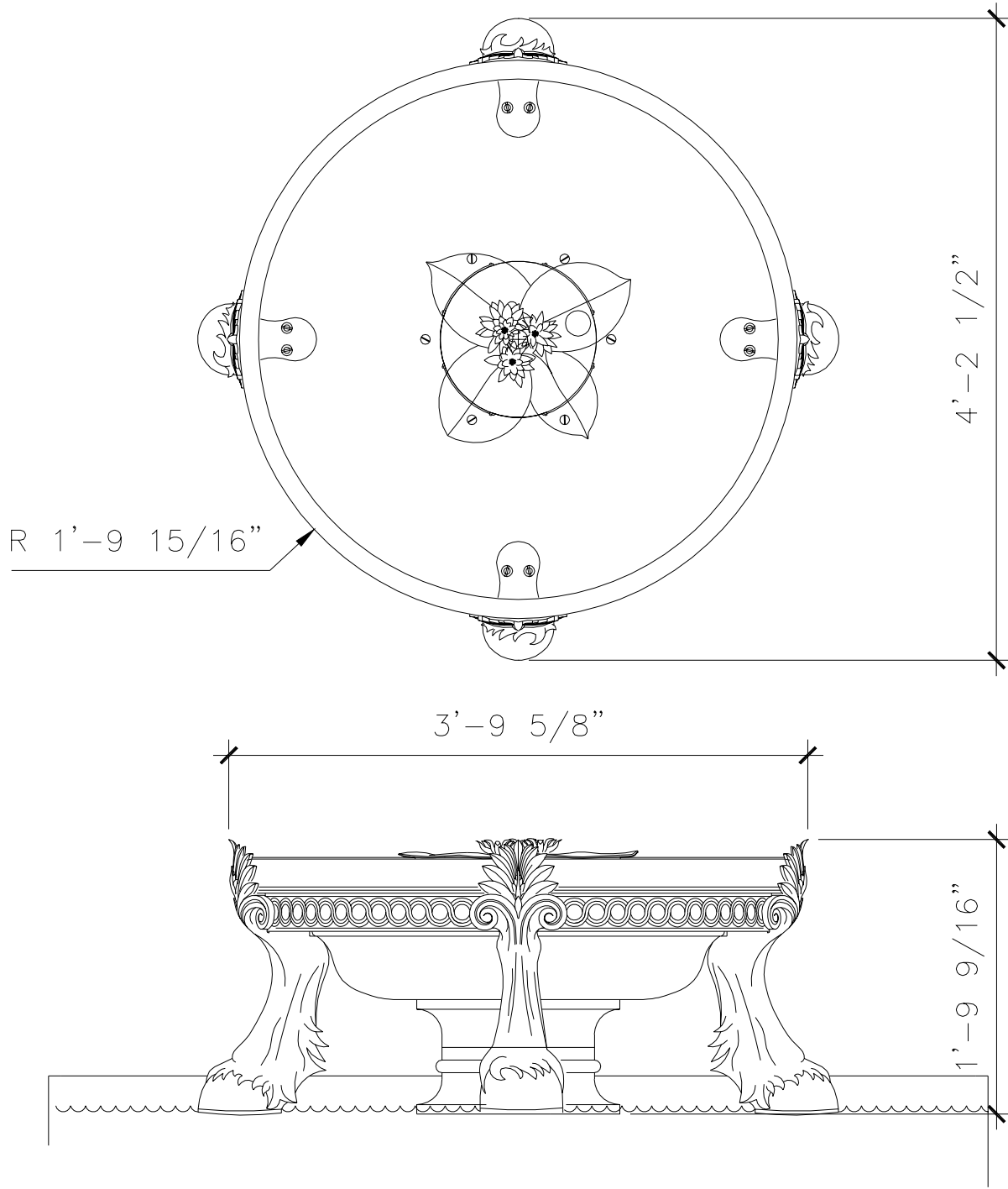
RECOMMENDED MATERIALS

ALUMINUM
BRONZE

FINISHES

PAINTED, ANTIQUED
PATINA, BRUSHED, HAND RUBBED



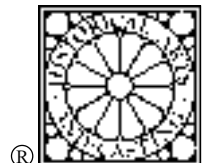


RECOMMENDED MATERIALS

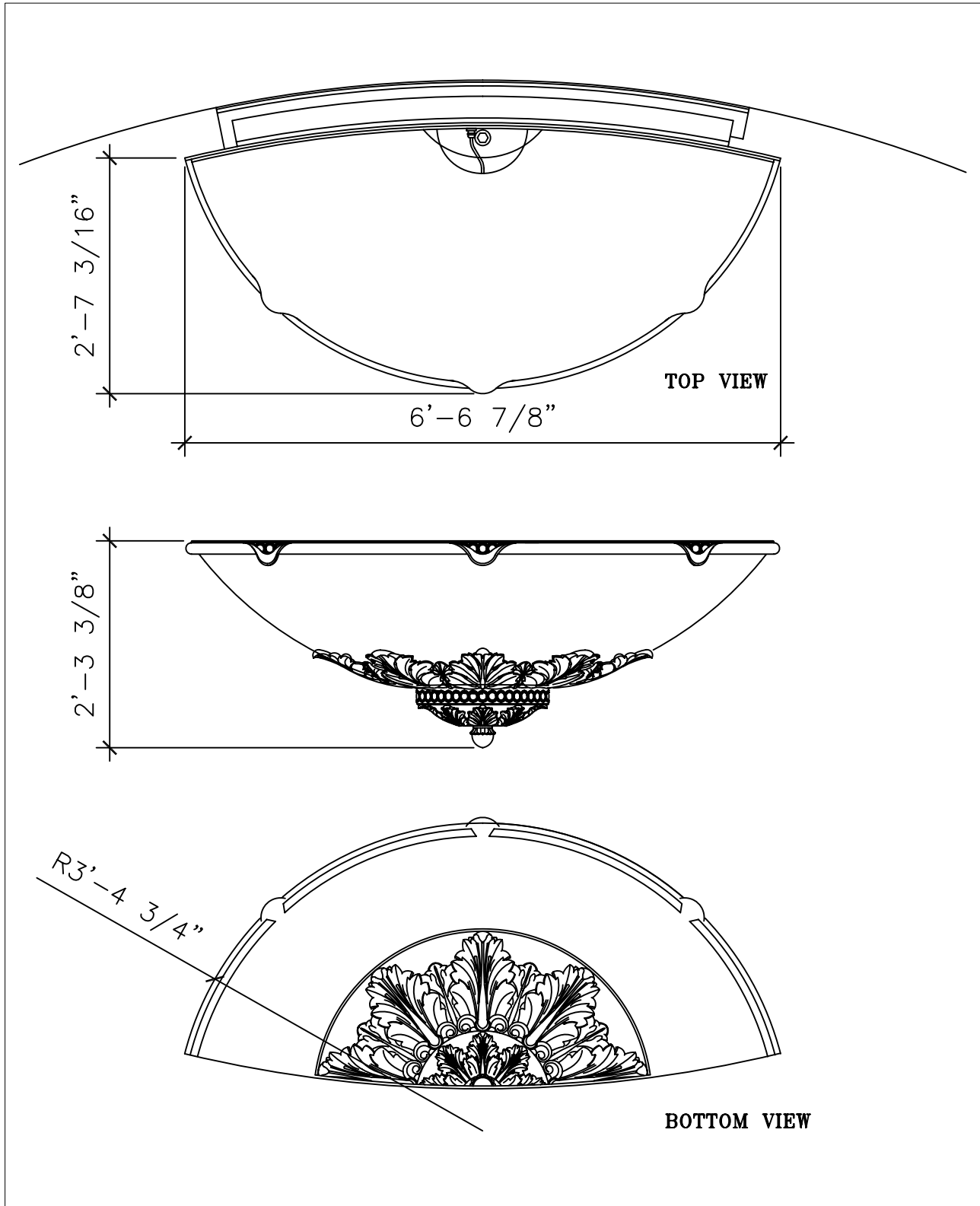
ALUMINUM
BRONZE

FINISHES

PAINTED, ANTIQUED
PATINA, BRUSHED, HAND RUBBED



®



RECOMMENDED MATERIALS
PAINTED, PATINA, BRUSHED

FINISHES
ALUMINIUM, BRONZE, IRON

